

CANDU NUCLEAR

NT803 Super Swivels



Serving the CANDU Nuclear Community Worldwide

Thorburn Flex Inc



www.thorburnflex.com

High Quality Custom Flexible Piping Systems

Thorburn Flex offers unmatched capabilities and expertise in applications engineering, design development and manufacture of custom flexible piping systems for CANDU nuclear power plants. Operating under a strategy of global presence, Thorburn Flex has structured and developed a specific CANDU business unit used to service this niche market sector. Through this CANDU business unit, our nuclear products consistently meet and exceed all quality design requirements of our CANDU nuclear reactor business partners.



NT803 - Super Swivel Heavy Duty Hydraulic Rebuildable Swivels

Product Description:

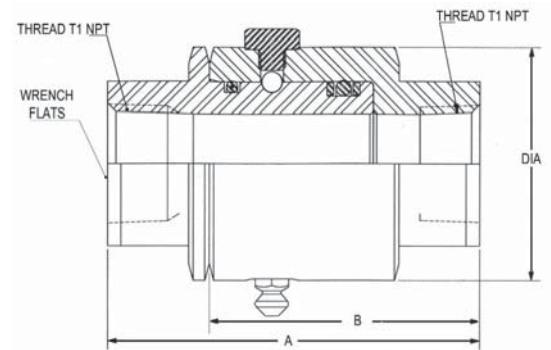
- Available in sizes 1/4" through 2"
- Rated to 5000 psi working pressures
- Manufactured from hardened ASME SA564 Material
- Chrome ball bearings for long life
- Larger ball bearings for more bearing area
- Burnished barrel bores
- Viton™ seals standard
- Lower rotating torque
- Withstands heavy loads
- Absorbs torsional piping loads
- No snap ring to blow off
- Rebuilding kits available
- Swivel design prevents twisting of hose during operation



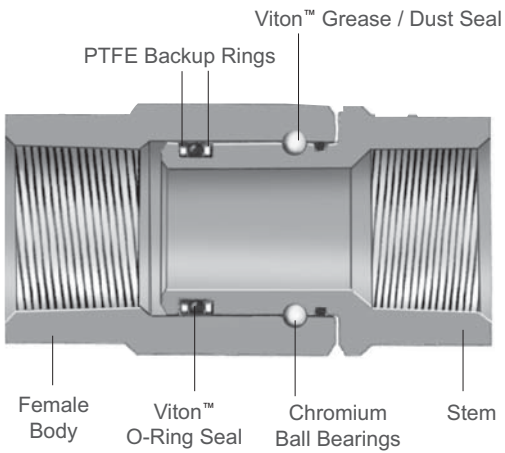
CANDU NUCLEAR

NT803 Series Technical Data

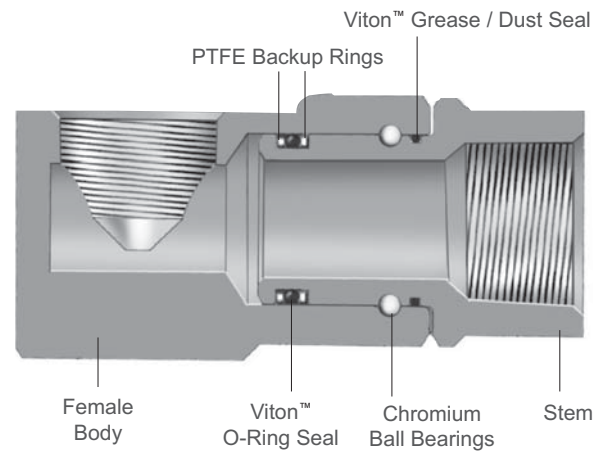
SIZE	A	B	THREAD T	THREAD T1	WRENCH FL	DIAMETER	DESIGN PRESS PSI @ 21°C
1/4"	2.572	1.720	1/4 - 18	1/4 - 18	1.000	1.170	4000
3/8"	2.835	1.850	3/8 - 18	3/8 - 18	1.250	1.420	4000
1/2"	2.835	1.850	1/2 - 14	1/2 - 14	1.375	1.545	4000
3/4"	2.835	1.850	3/4 - 14	3/4 - 14	1.625	1.795	3500
1"	3.660	2.480	1 - 1/2	1 - 1/2	2.000	2.125	3000
1 1/4"	4.025	2.685	1 1/4 - 11 1/2	1 1/4 - 11 1/2	2.375	2.500	3000
1 1/2"	4.700	3.290	1 1/2 - 11 1/2	1 1/2 - 11 1/2	2.500	2.625	2000
2"	5.200	3.800	2 - 11 1/2	2 - 11 1/2	3.000	3.250	2000



Inline Super Swivel

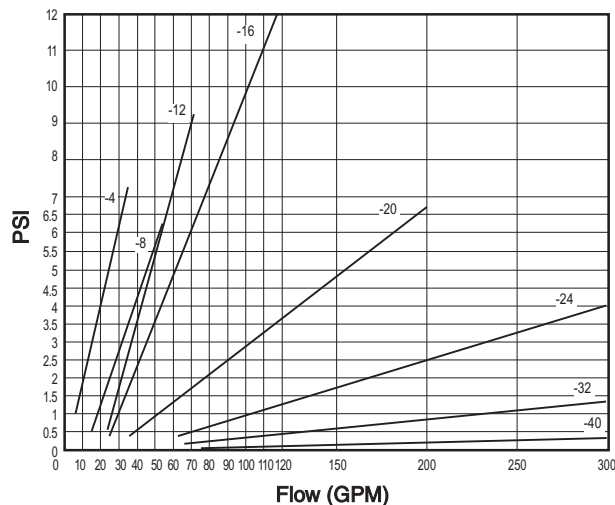


90° Super Swivel



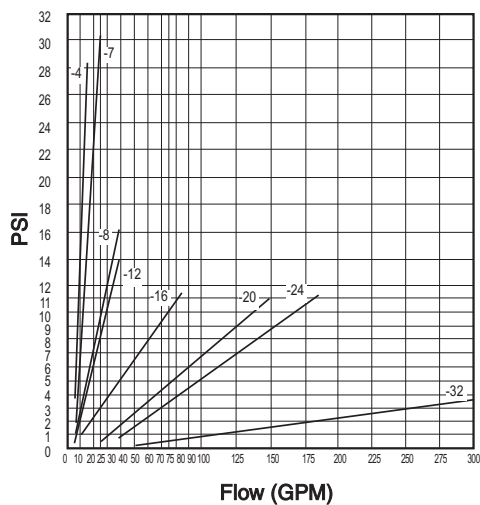
Flow Charts

Pressure Drop "Super S" 800 Series In-line 1/4" to 2 1/4"



Tests conducted with 150 SUS oil at 100°F with Female Pipe to Female Pipe (FPxFP)

Pressure Drop "Super S" 800 Series 90° 1/4" to 2"



Tests conducted with 150 SUS oil at 100°F with Female Pipe to Female Pipe (FPxFP)



AMERICAS

THORBURN FLEX HEAD OFFICE
173 Oneida, Pointe-Claire, Quebec
Canada, H9R 1A9

Tel: +1-514-695-8710
Fax: +1-514-695-1321

sales@thorburnflex.com

ASIA

THORBURN FLEX Malaysia
162 1st floor, Jalan Sungai Ujong, Taman AST
70200, Seremban, Negeri, Sembilan, Malaysia

Tel: +601-96608863
Fax: +606-7637098

sales@thorburnflex.com

EUROPE

THORBURN FLEX Poland
41 Wroclawska St.
Jelena, Góra, Poland

Tel: +48-75-752-1793
Fax: +48-75-752-1793

sales@thorburnflex.com

1-800-363-6613 (Toll Free North America)

CRN for all Canadian Provinces



N285.0 | B51



ASME "U" Stamp (Registered)



B31.1 | B31.3



ISO 9001: 2008



ASME "NPT" Stamp (In Progress)



*Over 50 Years of Flexible Piping Experience
Waiting To Serve You...*