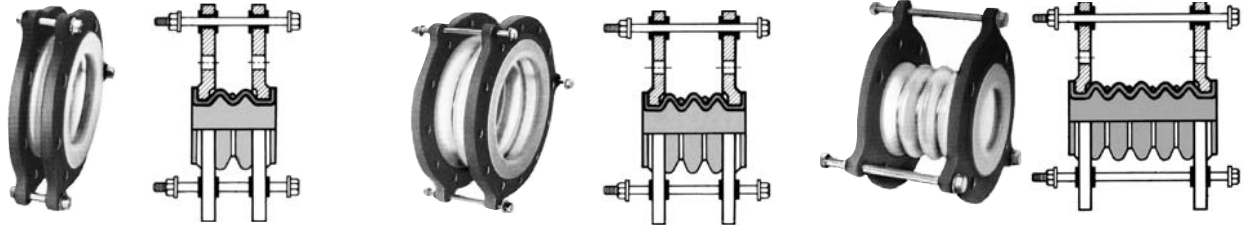


TEF-FLEX Expansion Joints

MOVEMENT, WEIGHT AND FLANGE DATA



Model TF2 (2 convolutions)

Model TF3 (3 convolutions)

Model TF5 (5 convolutions)

Nominal Pipe Size	Thrust Factor
1.5	2.60
2	4.26
2.5	6.88
3	8.99
4	14.66
5	21.13
6	32.64
8	55.72
10	91.21
12	129.31
14	176.70
16	227.00
18	283.50
20	346.40
24	490.90

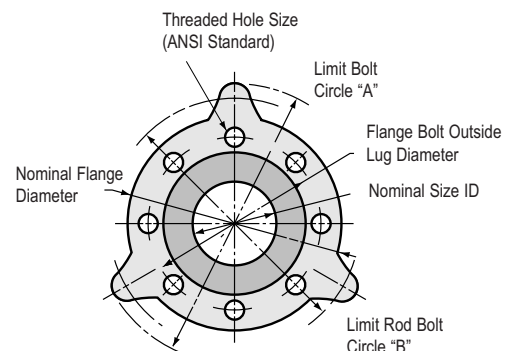
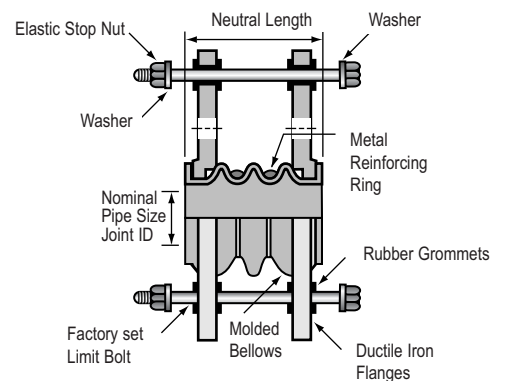
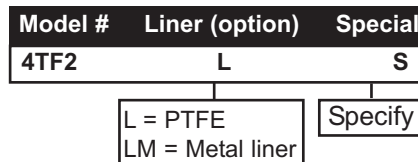
Model Number	Neutral Length (in.)	Non-concurrent Movement (in.)			Shipping Weight (lbs.)
		± Maximum Travel	Angular Degrees (°)	± Maximum Misalignment	
1.5TF2	2.00	0.25	19	0.13	3.00
2TF2	2.50	0.38	21	0.13	8.50
2.5TF2	2.50	0.38	17	0.13	11.25
3TF2	2.50	0.38	14	0.13	19.50
4TF2	3.00	0.50	14	0.25	25.75
5TF2	3.00	0.50	11	0.25	27.50
6TF2	3.00	0.50	10	0.25	27.50
8TF2	3.00	0.50	7	0.25	48.00
10TF2	3.75	0.75	7	0.25	67.00
12TF2	3.75	0.75	6	0.25	95.50

Model Number	Neutral Length (in.)	Non-concurrent Movement (in.)			Shipping Weight (lbs.)
		± Maximum Travel	Angular Degrees (°)	± Maximum Misalignment	
1.5TF3	2.000	0.50	34	0.25	3.00
2TF3	2.750	0.50	28	0.38	8.50
2.5TF3	3.188	0.50	22	0.38	11.25
3TF3	3.625	0.50	20	0.38	19.75
4TF3	3.625	0.75	20	0.5	26.00
5TF3	4.000	0.75	12	0.5	28.00
6TF3	4.000	0.75	14	0.5	28.00
8TF3	6.000	0.75	14	0.5	48.50
10TF3	7.000	1.00	12	0.63	68.50
12TF3	7.875	1.00	10	0.63	96.75
14TF3	8.500	1.15	7	0.375	125.00
16TF3	9.188	1.15	7	0.375	155.00
18TF3	11.063	1.15	7	0.375	175.00
20TF3	12.875	1.18	6	0.375	185.00
24TF3	11.875	1.18	6	0.375	220.00

Model Number	Neutral Length (in.)	Non-concurrent Movement (in.)			Shipping Weight (lbs.)
		± Maximum Travel	Angular Degrees (°)	± Maximum Misalignment	
1.5TF5	3.500	0.75	45	0.500	5
2TF5	4.000	1.00	45	0.500	8
2.5TF5	4.000	1.00	38	0.500	11
3TF5	5.000	1.00	33	0.500	12
4TF5	5.250	1.25	32	0.625	19
5TF5	6.000	1.25	26	0.625	29
6TF5	6.000	1.25	22	0.625	32
8TF5	8.000	1.75	23	0.688	51
10TF5	8.000	1.75	19	0.688	69
12TF5	9.000	2.00	18	0.688	102
14TF5	8.875	2.00	12	0.375	130
16TF5	8.875	2.00	11	0.375	160
18TF5	8.875	2.00	11	0.375	180
20TF5	8.875	2.00	10	0.375	195
24TF5	9.875	2.00	10	0.375	285

Description	Material
Bellows	TFE
Flanges	Ductile Iron
Reinforcing Rings	304 SS
Limit Bolts	Carbon Steel
Nuts	Carbon Steel
Grommets	Neoprene
Washers	Carbon Steel

How to order



Expansion Joint Flange Drilling						
Pipe Size (in.)	No. of Holes	Threaded Hole Size	Flange Bolt Circle (in.)	Flange OD (in.)	Bolt Circle Limit Bolt "B" (in.)	Limit Bolt Lug OD (in.)
1.5	4	.5 - 13	3.88	5.000	5.875	6.625
2	4	.63 - 11	4.75	6.000	6.875	7.875
2.5	4	.63 - 11	5.5	7.000	8.125	9.125
3	4	.63 - 11	6	7.500	8.750	9.750
4	8	.63 - 11	7.5	9.000	9.875	10.875
5	8	.75 - 10	8.5	10.000	11.500	12.750
6	8	.75 - 10	9.5	11.000	12.500	13.750
8	8	.75 - 10	11.75	13.500	14.750	16.000
10	12	.88 - 9	14.25	16.000	17.500	18.750
12	12	.88 - 9	17	19.000	20.625	22.313
14	12	1 - 8	18.750	21.063	22.250	23.875
16	16	1 - 8	21.250	23.625	24.813	26.938
18	16	1 1/8 - 7	22.750	25.188	26.188	28.313
20	20	1 1/8 - 7	25.00	27.538	28.750	30.875
24	20	1 1/4 - 7	29.50	32.000	33.250	35.813

Shown are standard dimensions. Other flange drilling available upon request