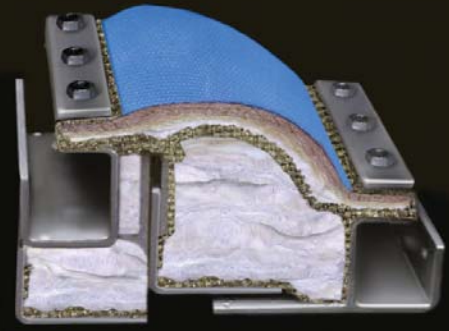


# Thorburn Flex Inc

Flexible Piping Specialist

[www.thorburnflex.com](http://www.thorburnflex.com)



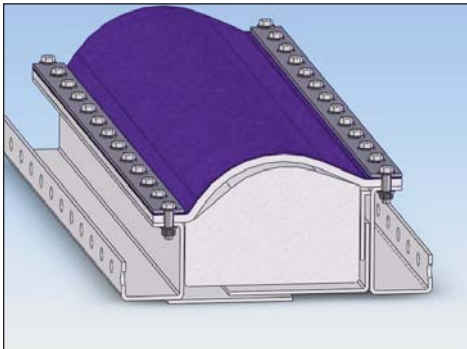
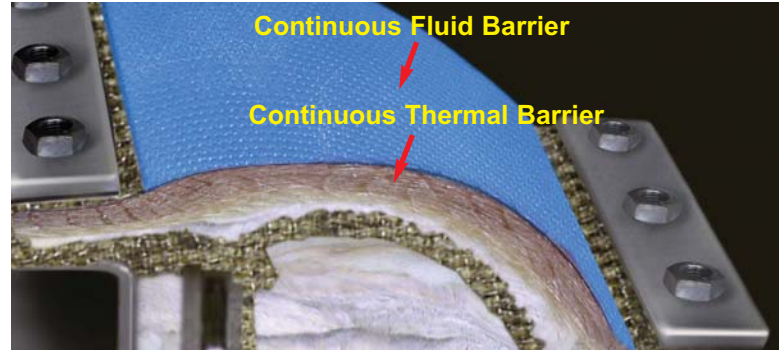
## FLEXI-DUCT™ NON-METALLIC EXPANSION JOINTS

### "Zero Gap"

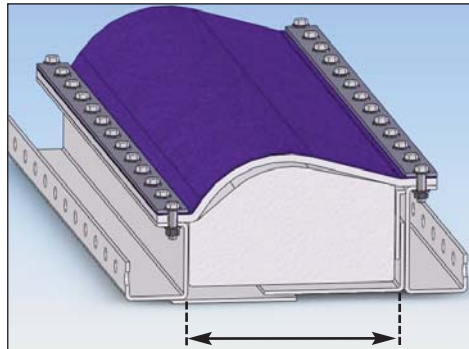
### Floating Sleeve Liner System

Combined Axial & Lateral Deflection

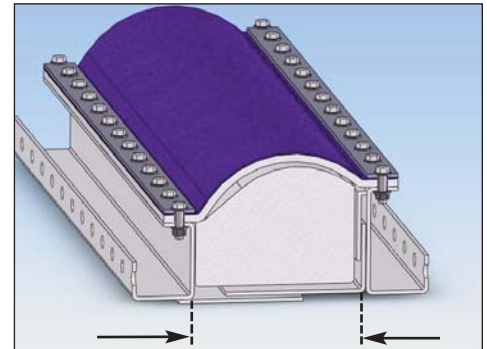
Specifically designed to prevent ash and dust accumulation in large axial & lateral movement ducting systems



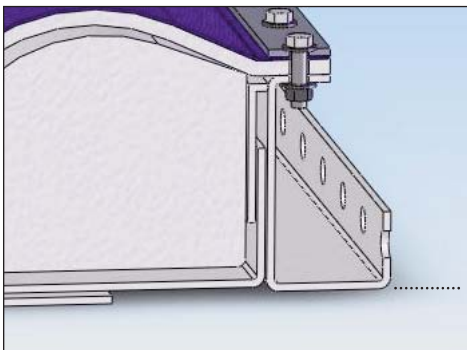
Default Position



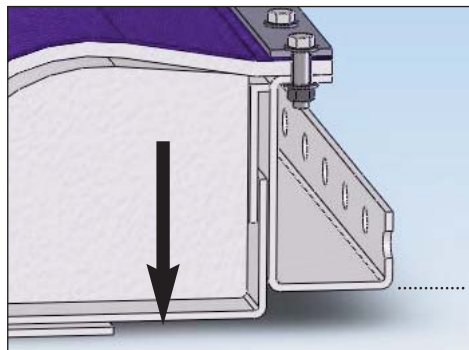
Axial Extension



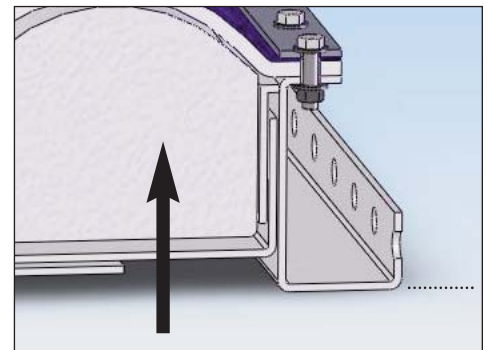
Axial Compression



Default Position



Lateral Deflection



Lateral Deflection

Thorburn's Quality System is registered and certified to:



ASME



ASME  
In Progress



EN 13480-2002  
PED 97/23/EC

ISO 9001

B31.1/B31.3



MADE IN CANADA

## THORBURN FLEX INC

173 Oneida Drive, Pointe-Claire, Quebec, Canada H9R 1A9

TEL: +1-514-695-8710 Ext-306 FAX: +1-514-695-1321

Toll Free (Canada & USA) 1-800-363-6613

Email: [sales@thorburnflex.com](mailto:sales@thorburnflex.com)