



# HOSE ASSEMBLY WHIP SOCKS

Engineered Solutions For Pipe Motion



[www.thorburnflex.com](http://www.thorburnflex.com)

## Thorburn Series TWS Hose Assembly Whip Socks



Thorburn's Whip Sock high pressure hose restraints are designed to significantly reduce the risk of injury caused by a high pressure hose blow-out failure. The magnitude of force caused by a large-diameter pressurized hose can cause fatal injury and be difficult to quickly restrain. Thorburn's Whip Socks also provide a grip on a hose over the larger area so to securing the hose and prevent it from whipping if a high-pressure accident causes the hose to release from its place. The double leg loop ends will also prevent the hose from side to side whipping under pressure. Whip Socks are Ideal for use in hydraulic systems or to restrain high pressure hoses dispensing water, air, sand, steam, concrete and slurry. Whip Sock systems are capable of significantly higher pressure ratings than the standard Whip Check or nylon hose safety restraints and can also be connected directly to one another without a clamp where two hoses are being joined. Each restraint features thimble eyes that are used as shackle points when fitted over the hose.

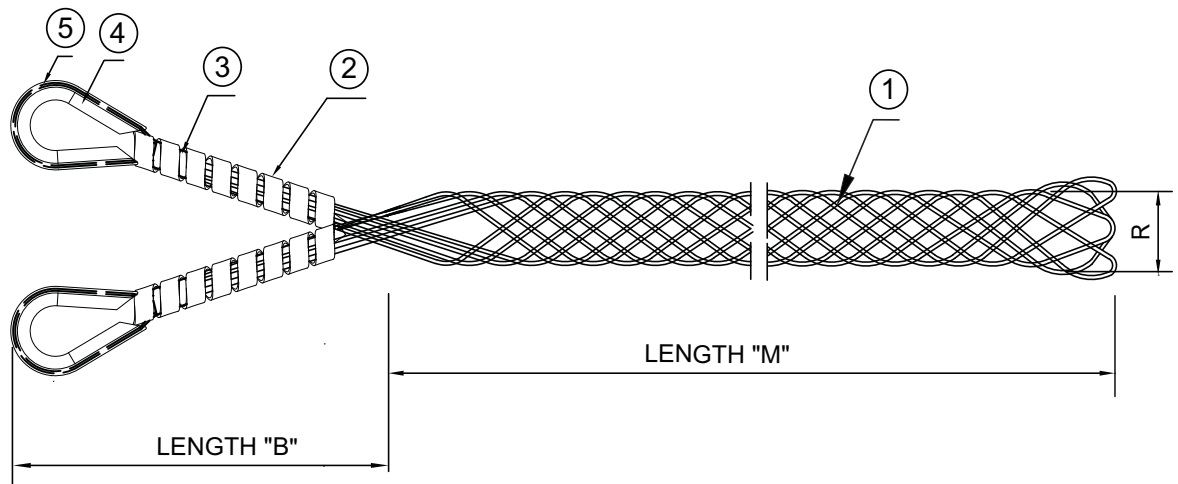
### Features:

- Sizes for a range from 1/2" through 6" hose diameters
- Keeps personnel and equipment safe
- Minimizes the high-pressure hose whipping
- Protects hoses from abrasion and wear
- 15" long leads for easier and more flexible installation
- Galvanized or 304 stainless steel

## Thorburn Series TWS Hose Assembly Whip Sock Specifications

Thorburn Part Number	Hose Size	Dimension (B)		Dimension (R)				Dimension (M)		Approx. Break Strength
				Min		Max				
	in	in	mm	in	mm	in	mm	in	mm	KN
TWS08SS	1/2"	5.9	150	0.75	19	1.10	28	19.69	500	38
TWS12SS	3/4"	7.1	180	1.10	28	1.57	40	23.62	600	57
TWS16SS	1"	7.1	180	1.57	40	1.97	50	31.50	800	57
TWS24SS	1 1/2"	9.8	250	1.97	50	2.36	60	35.43	900	100
TWS32SS	2"	10.0	254	2.36	60	2.76	70	35.43	900	100
TWS40SS	2 1/2"	10.6	270	2.76	70	3.35	85	39.37	1000	100
TWS48SS	3"	15.0	381	3.35	85	3.94	100	39.37	1000	158
TWS56SS	3 1/2"	16.5	420	3.94	100	4.72	120	47.24	1200	158
TWS64SS	4"	23.6	600	4.72	120	5.91	150	55.12	1400	195
TWS96SS	6"	23.6	600	5.91	150	7.48	190	63.00	1600	195
TWS128SS	8"	23.6	600	7.51	191	8.66	220	63.00	1600	195

1. Wire Mesh Assembly
2. Shoulder Protector
3. Aluminum Sleeve
4. Capel
5. Wire Rope



**Warning:** When installing a Whip Stop Safety Restraint, ensure proper fit by verifying if the diamond-pattern of the braiding is equally proportioned. If the diamonds are longer than they are wide, then the restraint is too big and the hose is at risk of slipping. After installing on the hose, pull on the loop ends to ensure there is no movement or rotation of the hose. Inspect Whip Sock restraints regularly, and replace if there is any sign of rust or broken cable strands.

**THORBURN FLEX - Canada**  
 165 Oneida, Pointe-Claire, Quebec  
 Canada, H9R 1A9  
 Tel: +1-514-695-8710  
 Fax: +1-514-695-1321  
 sales@thorburnflex.com  
 1-800-363-6613  
 (Toll Free North America)



ISCIR Romania | CNCAN Romania | EN 13480-2002 | HAF 604 China | TSG China



### Hose Whip Checks

Hose Whip Checks are designed to give limited protection from hose whipping if a hose disconnects under high pressure. Whip Checks are an easy to use and low cost safety product to prevent injury. Whip Checks are highly resistant to rust and corrosion and do not require any tools to install. Highly recommended for high pressure applications.



### Hose Bend Restrictors

Thorburn's hose bend restrictors are designed to limit the degree of bending without compromising the integrity of the hose assembly. The added protection prevents damage to the hose and extending its life cycle by preventing the hose-end from kinks, tears and excessive wear. The upper lip of Thorburn's hose bend restrictors firmly attaches to the coupling, holding the restrictor in place and eliminating the need for costly adhesives or clamps.



### Hose Abrasion Covers

Thorburn's hose abrasion covers protect hoses from abrasion and dramatically reduces the likelihood of hose failure while extending the lifespan of the hose. The unique spiral wrap design can be used for any application where cables, wires, and other similar lines need protection or organization.



### Hose Spring Guards

Thorburn's hose spring guards prevent kinking and flexing and protects the hose from abrasion and rough handling. Thorburn's hose spring guards slide on over the hose and run the full length of the hose for maximum protection. Most suitable for applications where potential hazards from abrasion and gouges are the greatest.



*Over 50 years of flexible piping experience  
 waiting to serve you...*